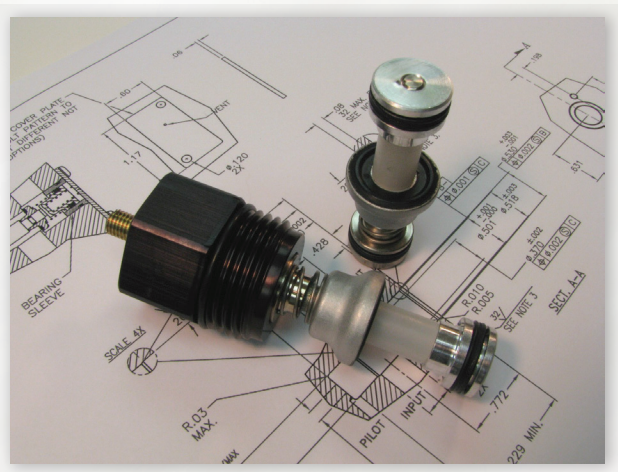


Pneumatic Cartridge Valve with Flow Control for a Manifold, Cv=2.6



- High Flow
- Flow Control
- .000113 cc/min Leak Rate
- Insert From One Side
- Easy Repair

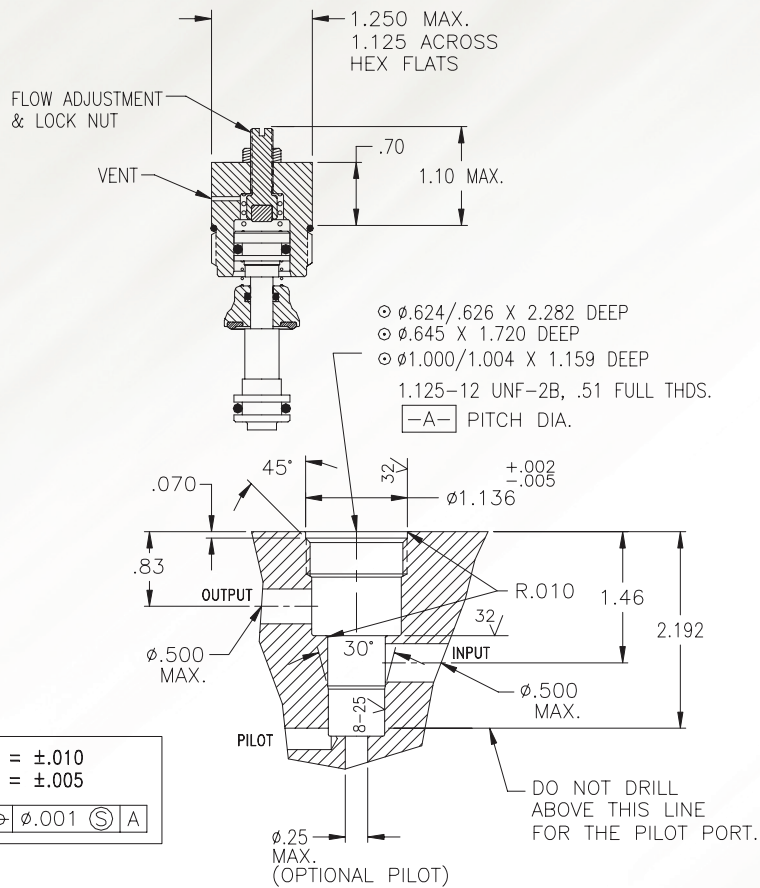
Basic Operation:

Lock your pneumatic device in position when a pressure drop or total loss of pressure occurs. Air flow is metered from the Output to the Input port.

Operating Data:

Max. Pressure:	150 psi
Min. Pilot Pressure:	40 psi
	25 psi (K18 suffix)
Leak Rate:	.000113 cc/min
Temp. Range:	-20 to 150 F (Nitrile)
Cycle Rate:	1 cyc./sec. max.
Max. Flow Capacity (Cv):	2.6
Cracking Pressure:	1-3 psi
Service:	Properly filtered dry air or lubricated air.

Description	Model
Cartridge, Adjustable Cap & Spring	BC4MNFL
Cartridge, Adjustable Cap & Low Pressure Spring	BC4MNFLK18



No. of Turns	Equivalent Dia (in.)
.25	.15
.50	.21
.75	.26
1.0	.30
1.25	.34
1.50	.37
1.75	.40

