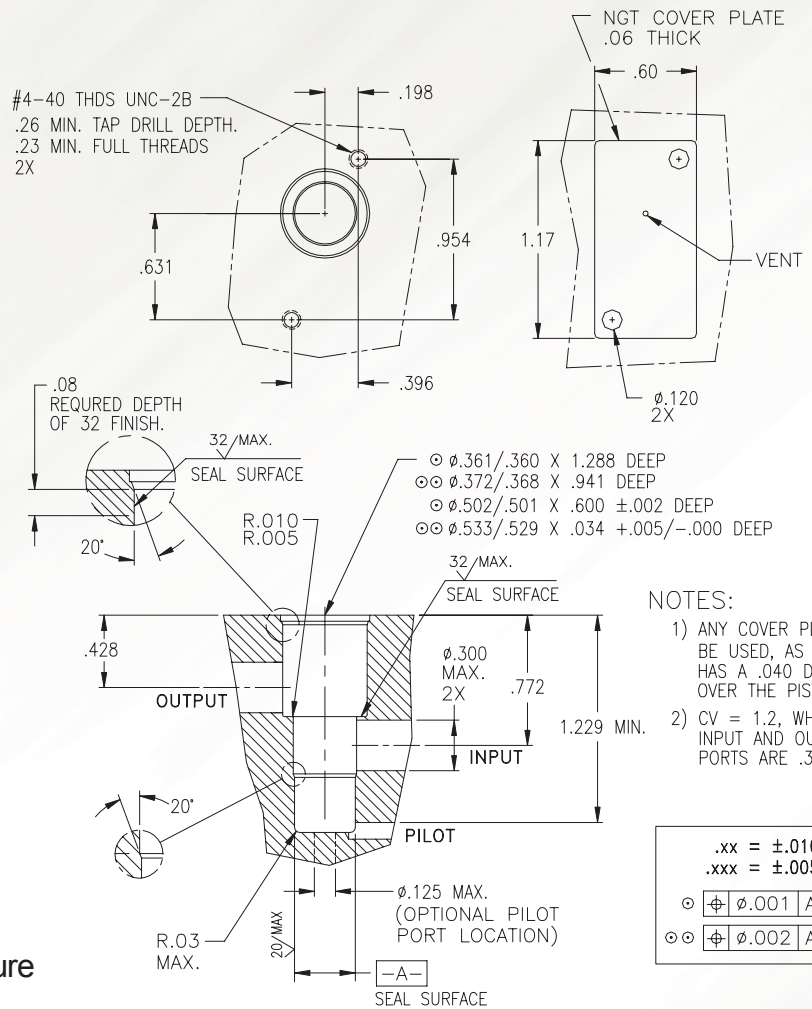
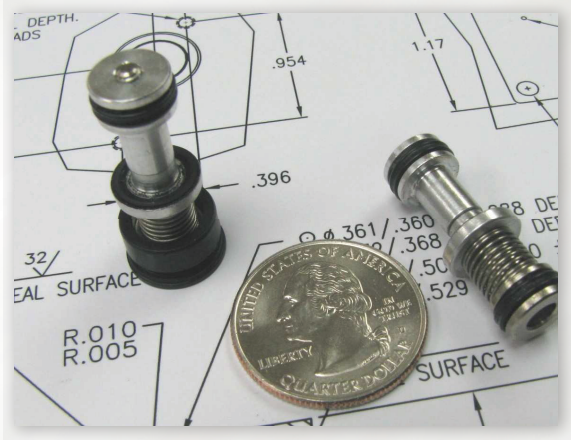


Pneumatic Cartridge Valve for a Manifold, Cv=1.2



- .000113 cc/min Leak Rate
- Inserts From One Side
- Easy Repair
- Small Size
- 100% Tested

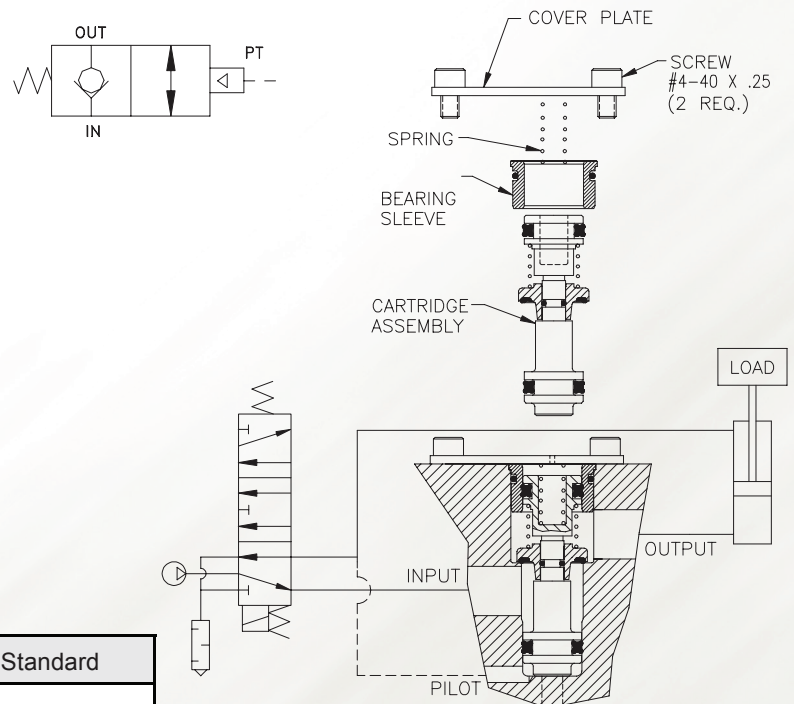
Basic Operation:

Lock your pneumatic device in position when a pressure drop or total loss of pressure occurs. Good for leak testing. Insert a cartridge assembly into a machined cavity and attach a cover for easy assembly.

Operating Data:

Max. Pressure: 120 psi
Min. Pilot Pressure: 30 psi @ 80 psi
Leak Rate: .000113 cc/min
Temp. Range: 30 - 150 F
Cycle Rate: 1 cyc./sec. max.
Max. Flow
Capacity (Cv): 1.2

Cracking Pressure: 2-3 psi
Service: Properly filtered dry air or lubricated air.



Description	Standard
Cartridge, Bearing, Cover, Spring & Screws	BC1MNAS
Cartridge, Bearing & Spring	BC1MNB
Cartridge & Spring	BC1MN