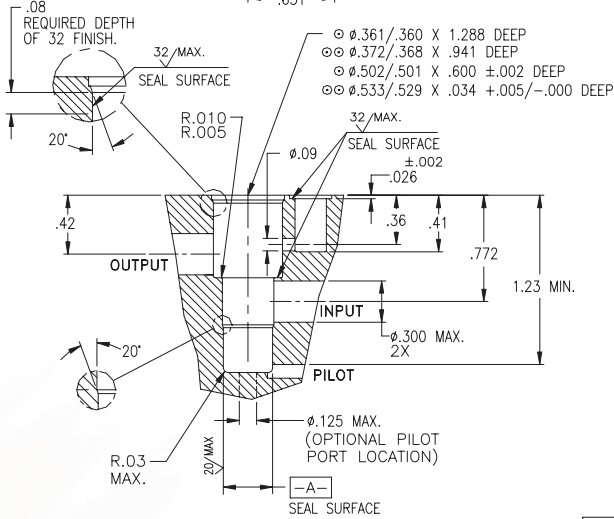
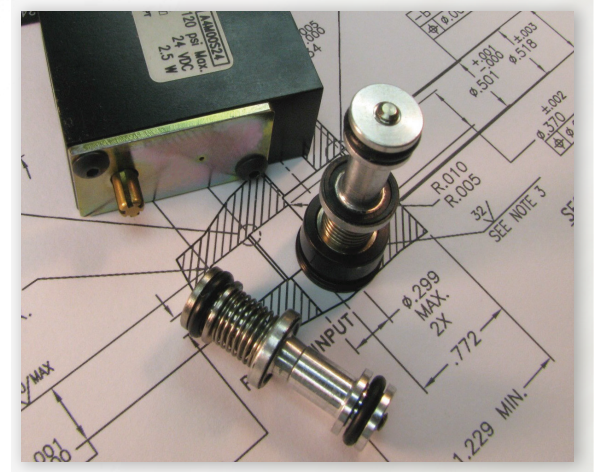
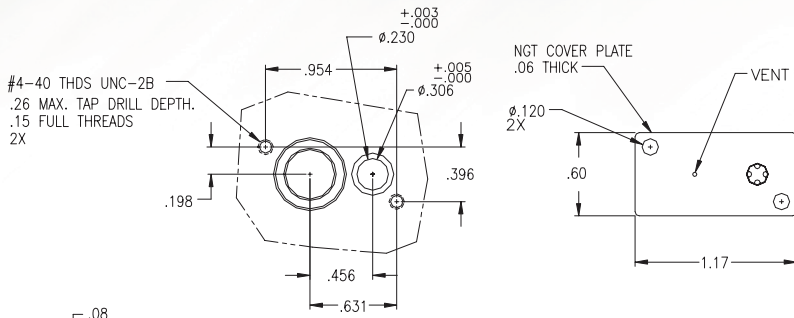
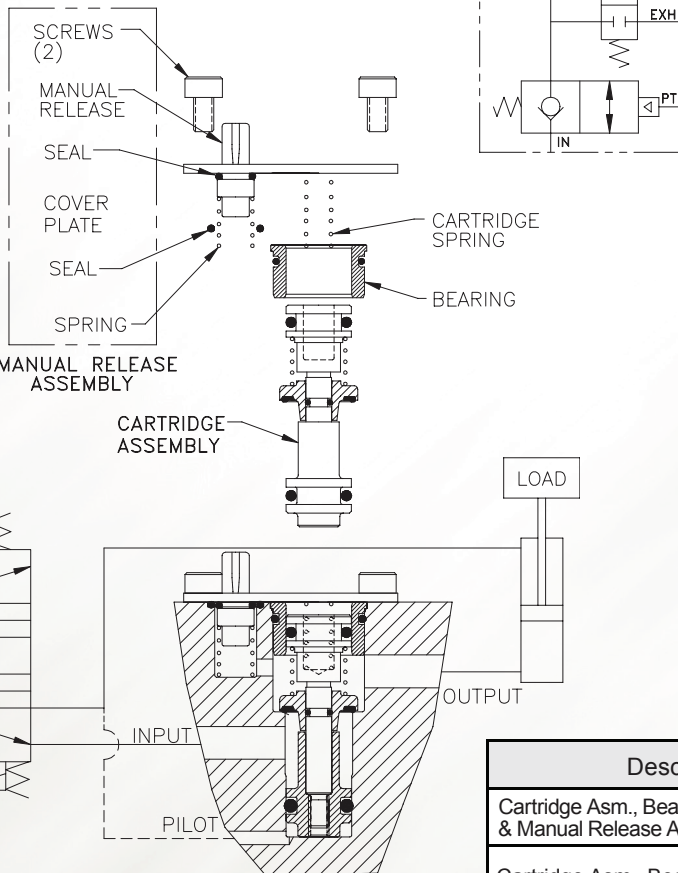


Pneumatic Cartridge Valve for a Manifold, Cv=1.2, with Manual Release



- NOTES:
- 1) ANY COVER PLATE CAN BE USED, AS LONG AS IT HAS A .040 DIA VENT OVER THE PISTON BORE.
 - 2) CV = 1.2, WHEN INPUT AND OUTPUT PORTS ARE .300 DIA.
 - 3) INPUT, OUTPUT & PILOT LOCATIONS CAN VARY FROM THE DRAWING.

.xx	= ±.010
.xxx	= ±.005
⊕	⊕ .001 A
⊗	⊗ .002 A



- Leak Rate .000113 cc/min
- Inserts From One Side
- Easy Repair
- Small Size
- Manual Release to Atm.

Basic Operation:

Lock your pneumatic device in position when a pressure drop or total loss of pressure occurs. Insert a cartridge assembly into a machined cavity and attach a cover for easy assembly. The manual release exhausts trapped air to atmosphere.

Operating Data:

Max. Pressure:	120 psi
Min. Pilot Pressure:	30 psi @ 80 psi
Leak Rate:	.000113 cc/min
Temp. Range:	30 - 150 F
Cycle Rate:	1 cyc./sec. max.
Max. Flow Capacity (Cv):	1.2
Cracking Pressure:	2-3 psi
Service:	Properly filtered dry air or lubricated air.

Description	MODEL
Cartridge Asm., Bearing, Cartridge Spring & Manual Release Asm.	BC1MNAS-1
Cartridge Asm., Bearing & Cartridge Spring	BC1MNB
Cartridge Asm. & Cartridge Spring	BC1MN