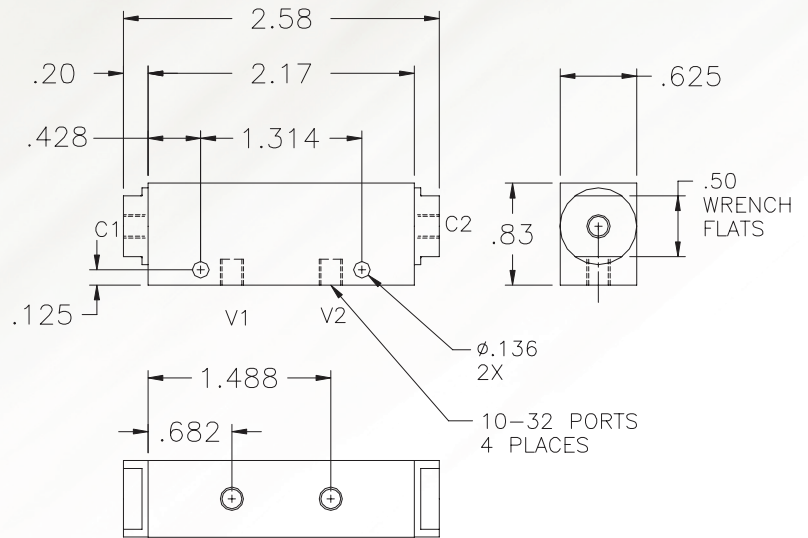
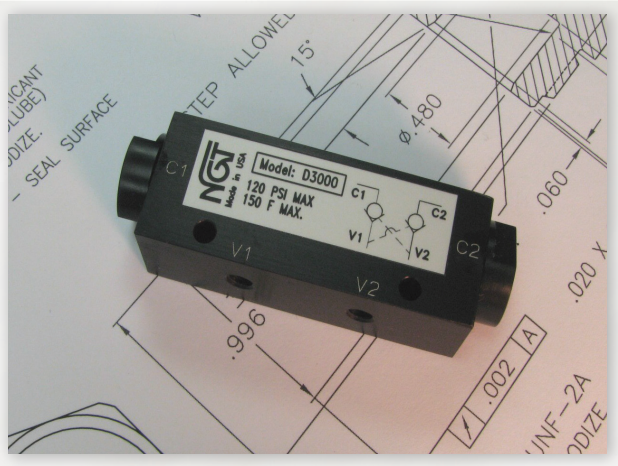


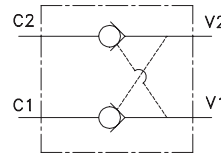
Miniature Dual Check Valve with 10-32 Ports



- Air Tight Locking
- Small Package
- Faster Stops
- Less Bounce

Basic Operation:

In the event of a pressure loss this unique valve maintains cylinder position by locking air in both cylinder ports. Eliminate drift due to leaky spool valves.



Operating Data:

Min / Max. Pressure: 25-120 psi
 Temp. Range: 30-150 F
 Cycle Rate: 1 cyc./sec. max.
 Flow Capacity (Cv): .25
 Cracking Pressure: 1-2 psi
 Service: Properly filtered dry air or lubricated air.

