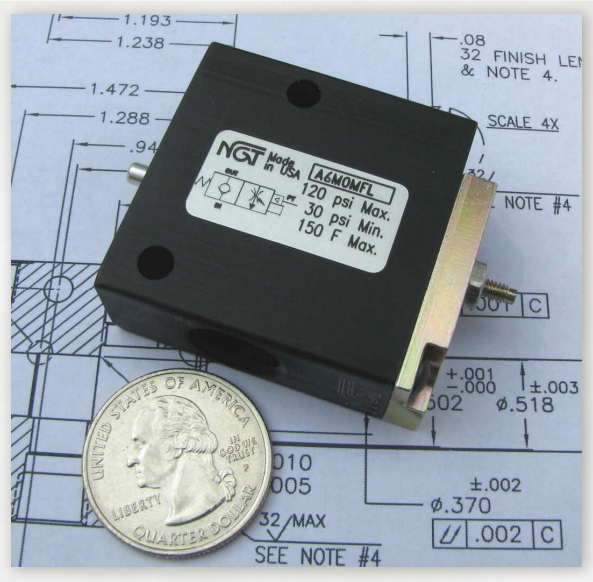


3/8 NPTF Pilot-Operated Locking Valve with Flow Control

Patents Pending



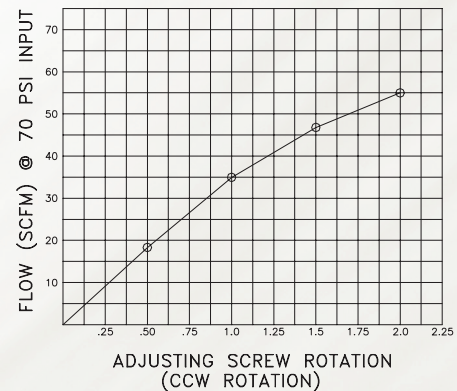
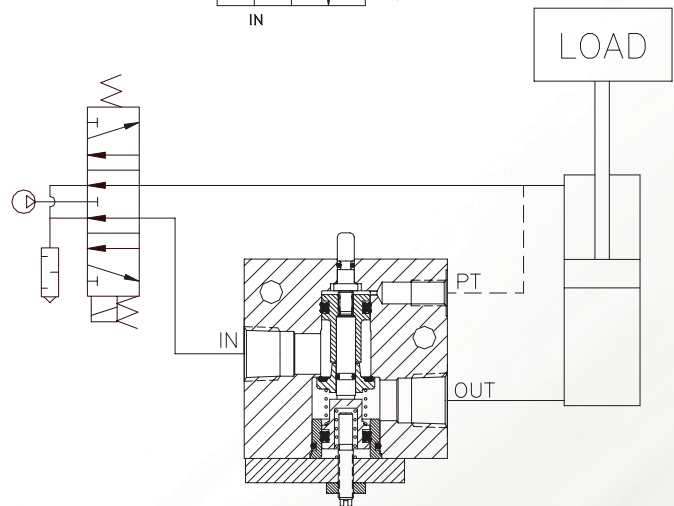
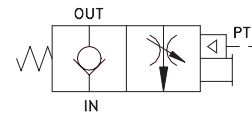
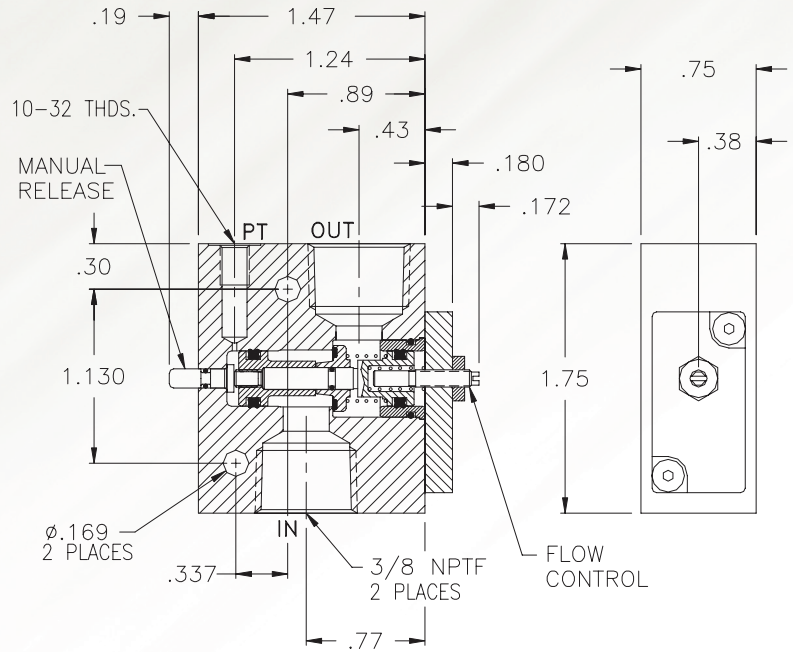
- Lower Loads Slowly
- Manual Release (metered flow)
- .000113 cc/min - Leak Rate

Basic Operation:

Lock your pneumatic device in position when a pressure drop or total loss of pressure occurs. Slowly lower the load when the valve is piloted open. The manual release for exhausting trapped air is also metered through the flow control, so the load is lowered slowly when the manual release is depressed.

Operating Data:

Max. Pressure:	120 psi
Min. Pilot Pressure:	30 psi @ 80 psi
Leak Rate:	.000113 cc/min
Temp. Range:	30 - 150 F
Cycle Rate:	1 cyc./sec. max.
Flow Capacity (Cv):	1.2
Cracking Pressure:	2-3 psi
Service:	Properly filtered dry air or lubricated air.



70 PSI INLET AT FULL PRESSURE DROP

P.O. Box 5223, Elm Grove, WI 53122-5223



Model No.	3/8 NPTF
Manual Release	A6M0MFL

No. of Turns	Equivalent Dia (in.)
.5	.12
1.0	.17
1.5	.21
2.0	.24
2.5	.27
3.0	.30