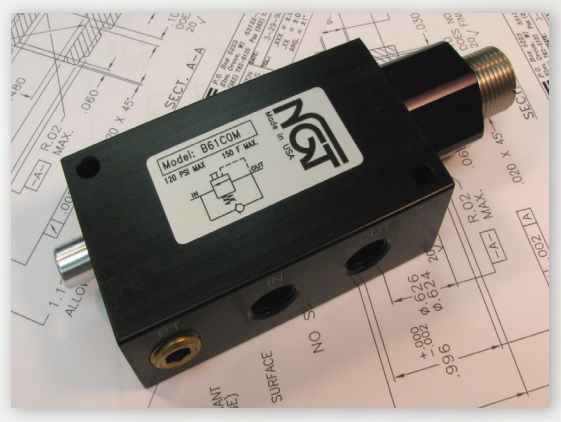


1/4 and 3/8 NPTF Pneumatic Counterbalance Valves



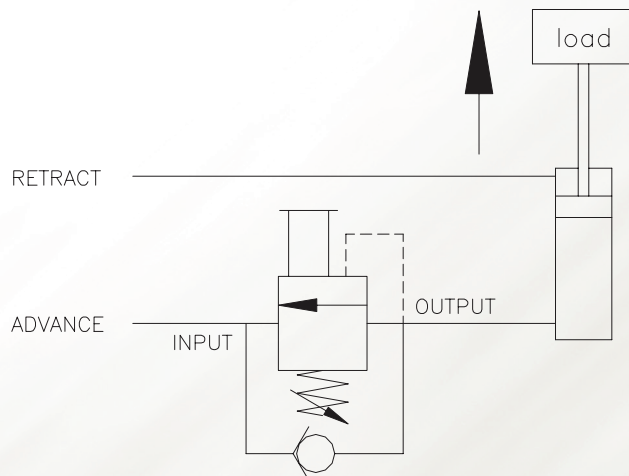
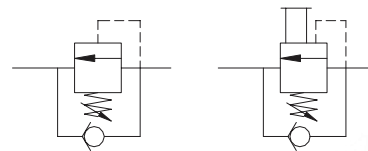
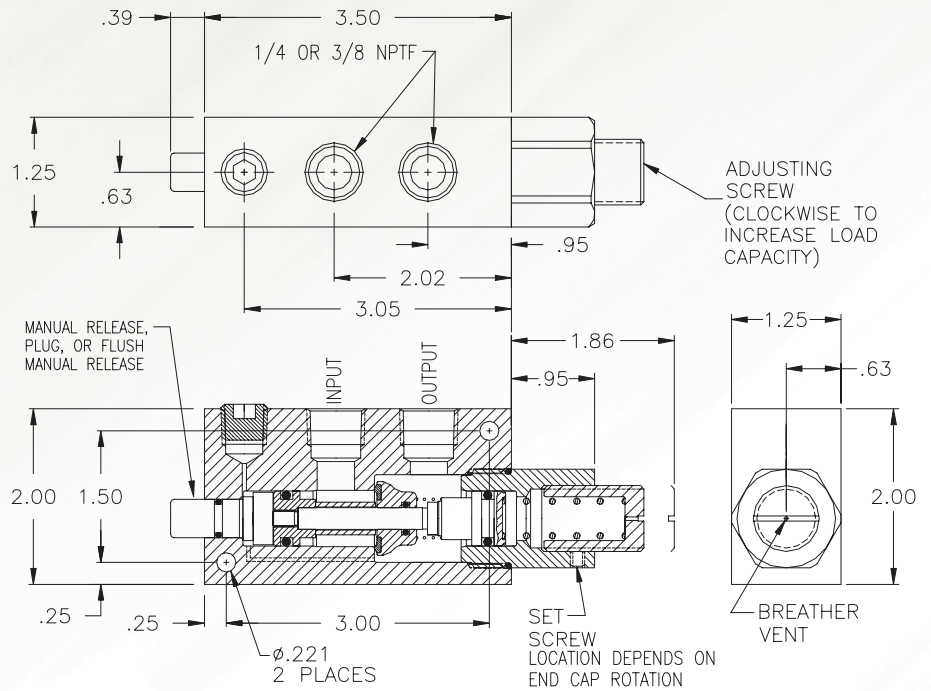
- Optional Manual Release
- .0000522 cc/min Leak Rate
- Adjustable Load Setting

Basic Operation:

The counterbalance valve will hold a load in position until pressure or an external force is applied to move the load. Turning the adjusting screw clockwise will increase the load carrying capacity of the valve. Optional manual and flush manual release.

Operating Data:

Max. Pressure: 120 psi
 Leak Rate: .0000522 cc/min.
 Temp. Range: 30-150 F
 Cycle Rate: 1 cyc./sec.
 Flow Capacity (Cv): 2.6
 Cracking Pressure: 1-2 psi
 Service: Properly filtered dry and lubricated air.



MODELS	1/4 NPFT	3/8 NPFT
No Manual Release	B41C00	B61C00
Manual Release	B41C0M	B61C0M
Flush Manual Release	B41CFM	B61CFM