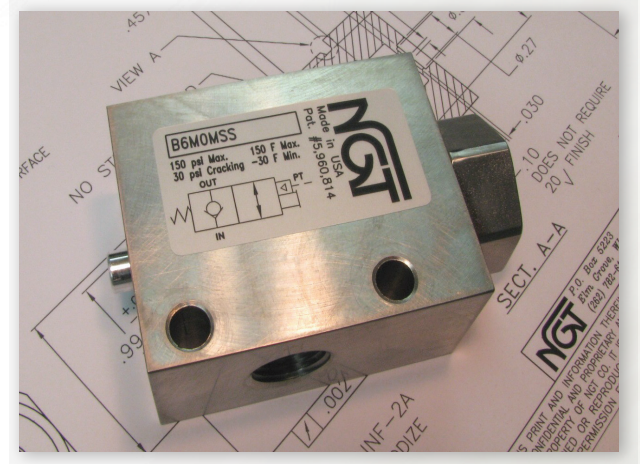
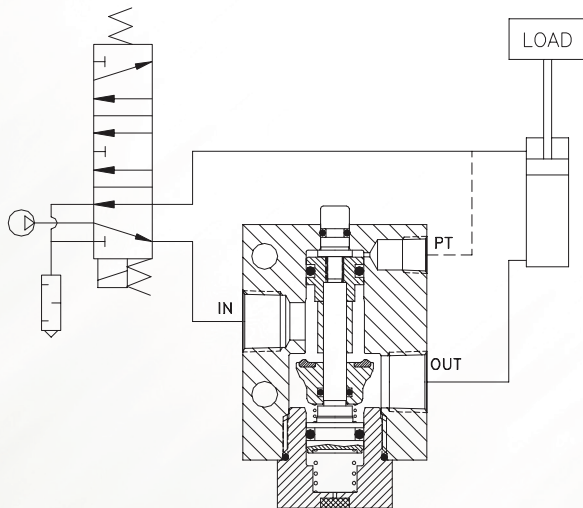
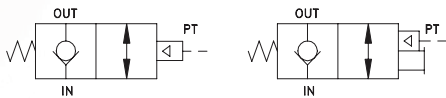
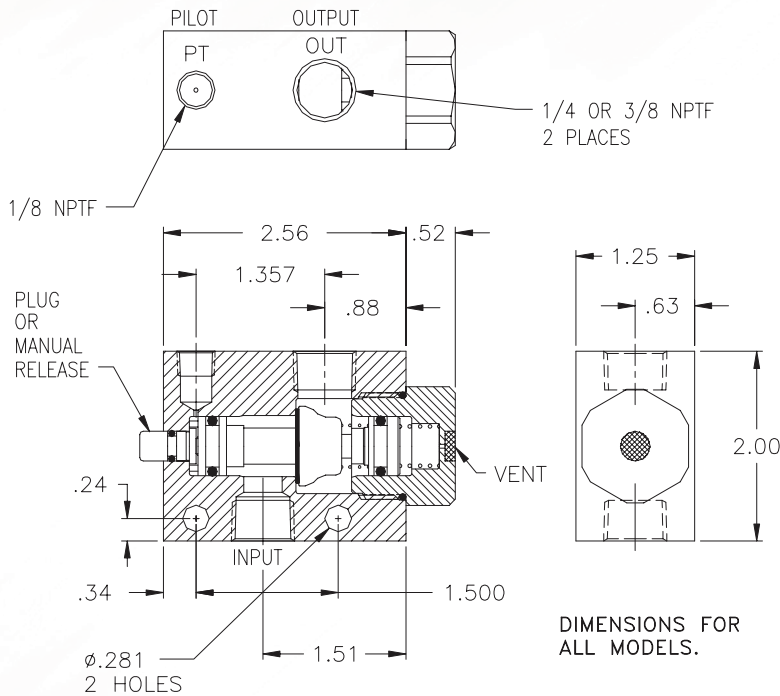


1/4 & 3/8 NPTF 316 Stainless Balanced Pilot Operated Check Valves



- Immediate Checking
- Optional Manual Release
- .0000522 cc/min Leak Rate
- Low & High Temp

Basic Operation:

Lock your pneumatic device in position when a pressure drop or total loss of pressure occurs. Manual release for exhausting trapped air before maintaining the system (OSHA Requirement).

Operating Data:

- Max. Pressure: 150 psi
- Min. Pilot Pressure: 40 psi
- Leak Rate: .0000522 cubic cm/min
- Temp. Range: 30-150 F
30-350 F (see table '-V')
-40-150 F (see table '-T40')
- Cycle Rate: 1 cyc./sec. max.
- Flow Capacity (Cv): 2.6
- Cracking Pressure: 1-2 psi
- Service: Properly filtered dry air or lubricated air.

Model No.	1/4 NPTF	3/8 NPTF
No Manual Release	B4M00SS	B6M00SS
Manual Release	B4M0MSS	B6M0MSS
Flush Manual Release	B4MFSS	B6MFSS

For high temp seals add (-V) to the model # (ex. B4M0MSS-V).
For low temp seals add (-T40) to the model # (ex. B4M0MSS-T40).