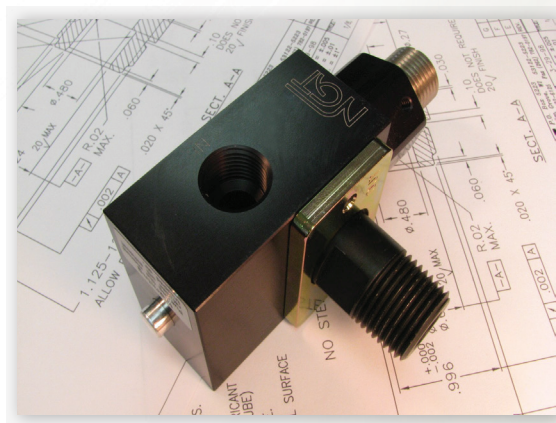
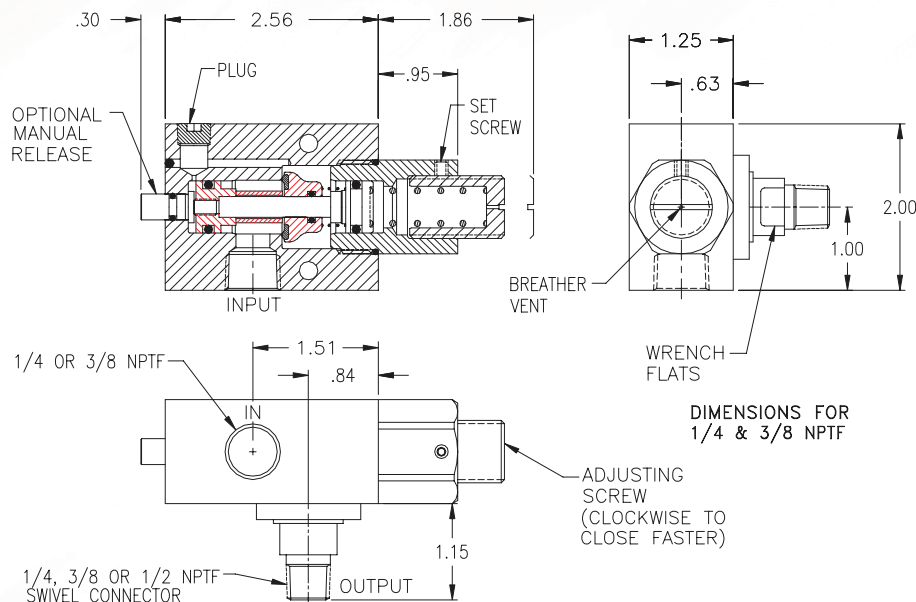


# 1/4, 3/8 and 1/2 NPTF Swivel Mount Counterbalance Valves



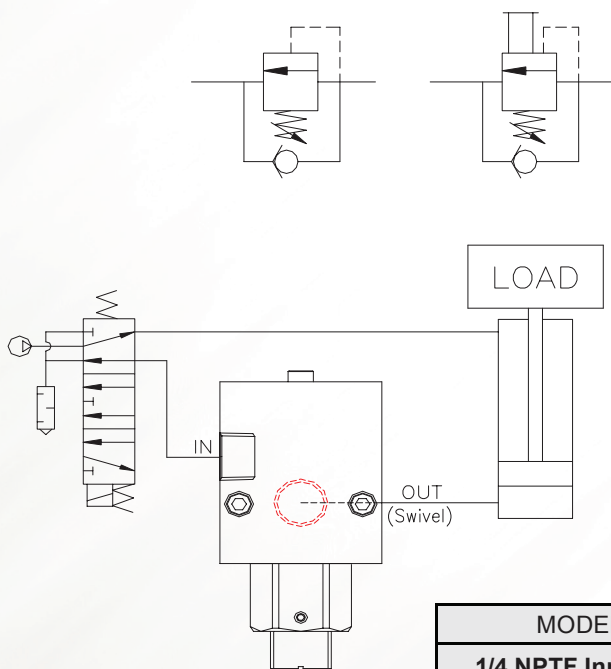
- Optional Manual Release
- .0000522 cc/min Leak Rate
- Adjustable Load Setting
- Direct Mounting Swivel

## Basic Operation:

The counterbalance valve will hold a load in position until pressure or an external force is applied to move the load. Turning the adjusting screw clockwise will increase the load carrying capacity of the valve. Optional manual and flush manual release.

## Operating Data:

Max. Pressure: 120 psi  
 Leak Rate: .0000522 cc/min.  
 Temp. Range: 30-150 F  
 Cycle Rate: 1 cyc./sec.  
 Flow Capacity (Cv): 2.6  
 Cracking Pressure: 1-2 psi  
 Service: Properly filtered dry and lubricated air.



MODELS	1/4 Swivel	3/8 Swivel	1/2 Swivel
<b>1/4 NPTF Input Port</b>			
No Manual Release	<b>B4SC00-25</b>	<b>B4SC00-38</b>	<b>B4SC00-50</b>
Manual Release	<b>B4SC0M-25</b>	<b>B4SC0M-38</b>	<b>B4SC0M-50</b>
Flush Manual Release	<b>B4SCFM-25</b>	<b>B4SCFM-38</b>	<b>B4SCFM-50</b>
<b>3/8 NPTF Input Port</b>			
No Manual Release	<b>B6SC00-25</b>	<b>B6SC00-38</b>	<b>B6SC00-50</b>
Manual Release	<b>B6SC0M-25</b>	<b>B6SC0M-38</b>	<b>B6SC0M-50</b>
Flush Manual Release	<b>B6SCFM-25</b>	<b>B6SCFM-38</b>	<b>B6SCFM-50</b>