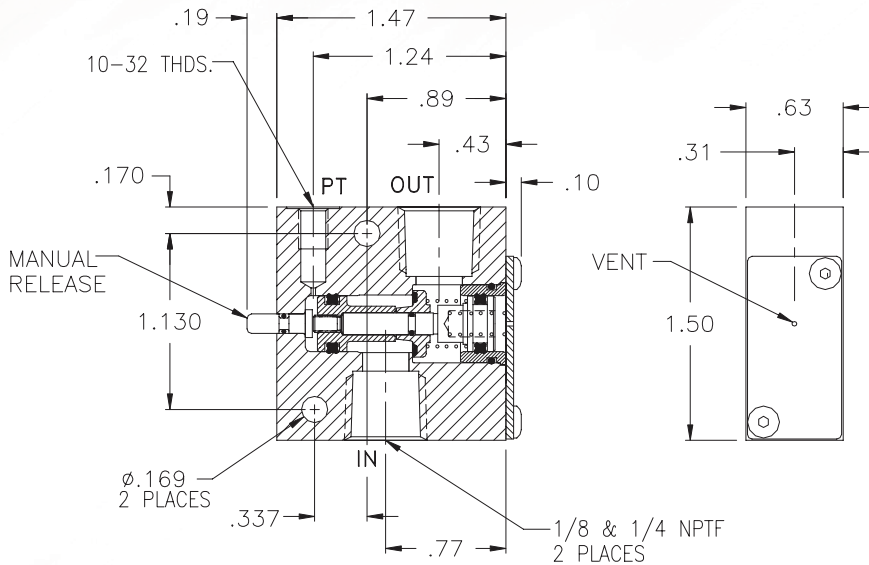
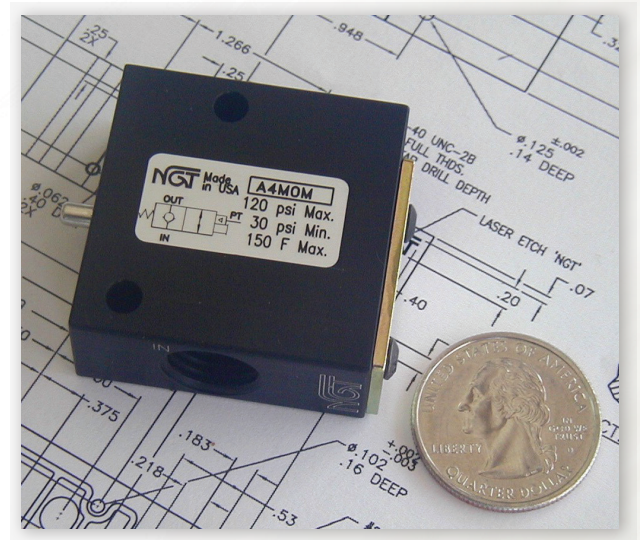
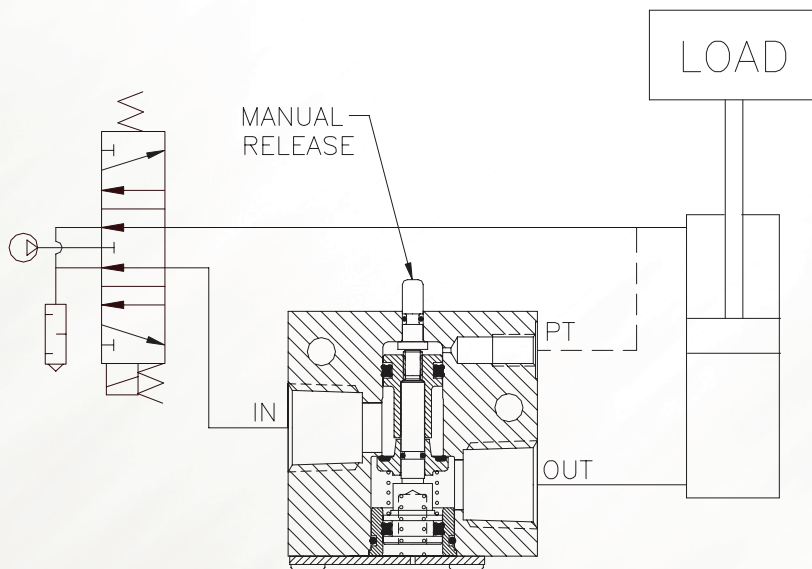
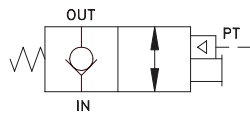


# 1/8 & 1/4 NPTF Pilot-Operated Locking Valves

Patents Pending



DIMENSIONS APPLY FOR BOTH 1/8 AND 1/4 MODELS



- New Smaller Size
- Manual Release
- .000113 cc/min Leak Rate

## Basic Operation:

Lock your pneumatic device in position when a pressure drop or total loss of pressure occurs. Manual release for exhausting trapped air before maintaining the system (OSHA Requirement).

## Operating Data:

Max. Pressure:	120 psi
Min. Pilot Pressure:	30 psi @ 80 psi
Leak Rate:	.000113 cc/min
Temp. Range:	30-150F
Cycle Rate:	1 cyc./sec. max.
Flow Capacity (Cv):	1.2
Cracking Pressure:	2-3 psi
Service:	Properly filtered dry air or lubricated air.

Model No.	1/8 NPTF	1/4 NPTF
Manual Release	<b>A2M0M</b>	<b>A4M0M</b>